

TQSX系列吸式比重去石机

TQSX吸式比重去石机主要用于粮食加工，可以清理小麦、稻谷、大豆、花生、菜籽、大米中的并肩石和较重的杂质。

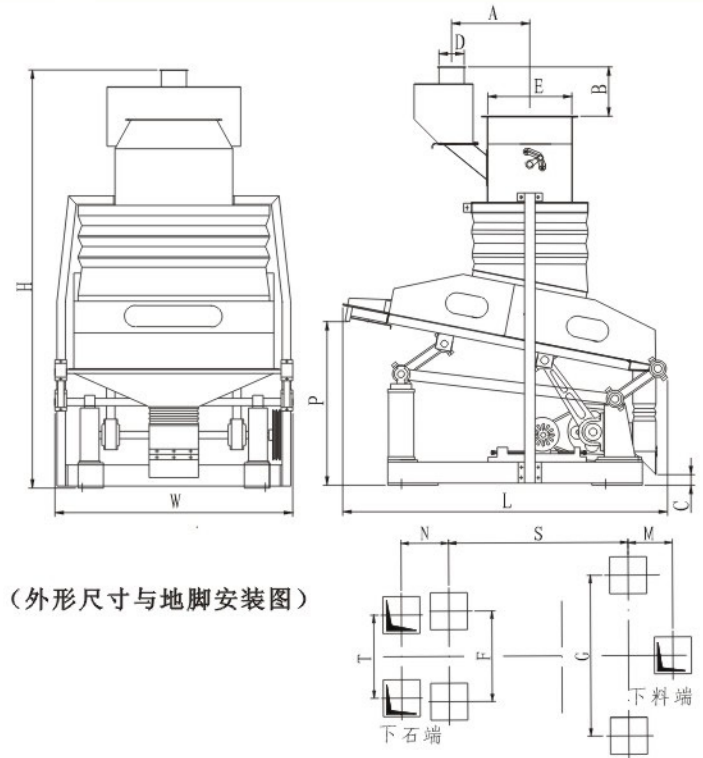
特点

- 较高的去石效率，去石筛板为鱼鳞板结构，适合于原粮含石量较高的粮食加工企业。
- 操作简便，结构紧凑。
- 针对不同的物料，去石筛板倾角在10-14度范围内调节，以追求最佳的工艺效果。
- 外接风机，整机密封，无灰尘外扬，达到理想环保要求。往复摆动结构，铰接处采用橡胶轴承，振动小、噪音低。
- 传动采用调心轴承并加上防松装置，使机械性能更稳定。

TQSX suction type gravity stoner is mainly used for cleaning wheat, paddy soybean, rapeseed peanut in grain processing and removing stones which is the same as grain and heavier impurities in rice.

Feature

- High stone-removing efficiency; with shutter sieve, it is more suitable for some grain processing plants where there are more stones content in raw grain.
- The inclination of shutter sieve varies from 10° to 14° depending on the different feedstock to attain the best processing effect.
- With external fan, fully sealed machine, and no dust outside machine, thereby gaining the end of environmental protection.
- Adopt reciprocating mechanism with rubber bearing, less vibrating, low noise.
- Adopt self-aligning bearing with looseness prevention device so as to make mechanical property more steady.



(外形尺寸与地脚安装图)

型号 尺寸	TQSX125	TQSX100	TQSX85
L	1545	1545	1545
W	1380	1130	980
H	1982	1982	1982
A	372	372	372
D	120	120	120
E	400×520	400×400	400×400
B	233	233	233
C	50	50	50
S	970	970	970
G	1120	870	720
F	610	490	390
T	530	450	300
M	240	240	240
N	257	257	257
P	775	775	775

主要技术参数

型号type	TQSX125	TQSX100	TQSX85
产量Output(t/h)	6.0~8.0	5.0~7.0	4.0~6.0
功率power(kw)	1.1	0.75	0.75
机重weight(kg)	450	380	350
外形尺寸dimensions(mm)	1545×1380×1982	1545×1130×1982	1545×980×1982

通过ISO9001国际标准质量体系认证

E-mail: yongxiangmiji@sohu.com http://www.hbyxlj.com

地址：湖北省安陆市府河大道8号

ADD: 8 FUHE AVE. ANLU CITY, HUBEI, CHINA

电话(TEL): 0712-5254443 5254445 5258762 传真(FAX):0712-5254443 邮编(POSTCODE): 432600